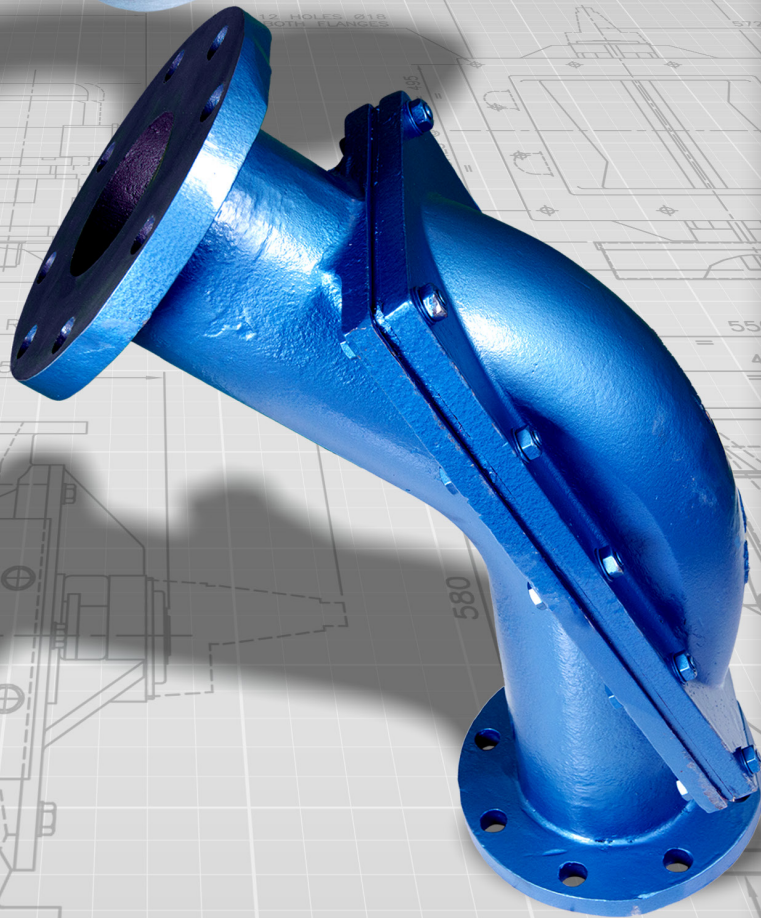
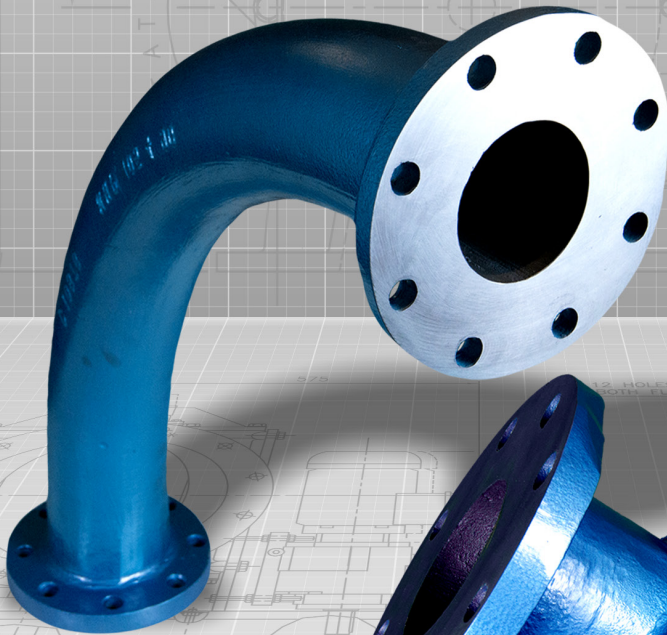


**ROLOK**

everything under control...



NI-HARD WEARBACK & PIPE BENDS

**ROLOK UK**

1 Millennium Place  
Tiverton Business Park  
Tiverton  
Devon  
EX16 6SB  
United Kingdom

Tel: +44 (0) 1884 232232  
Fax: +44 (0) 1884 232200

[www.rotolok.co.uk](http://www.rotolok.co.uk)  
[sales@rotolok.co.uk](mailto:sales@rotolok.co.uk)



## INTRODUCTION

To cope with a whole list of abrasive materials including sand, cement, quarry dust, granite dust, sinter dust, slag, coal and many others which cause extra wear on pipe bends of conventional material, we provide a range of Ni-Hard castings.

Standard radius plain bends with and without replaceable wear-back plates are available. Flanged ends as standard, although special designs can be considered. Ni-Hard bends are essential for the efficient conveying of abrasive materials

The models with replaceable wearbacks enable the part of the bend most susceptible to wear to be replaced without the need to remove the complete bend from the system. This saves on system down time and keeps the repair cost down.

## INSTALLATION

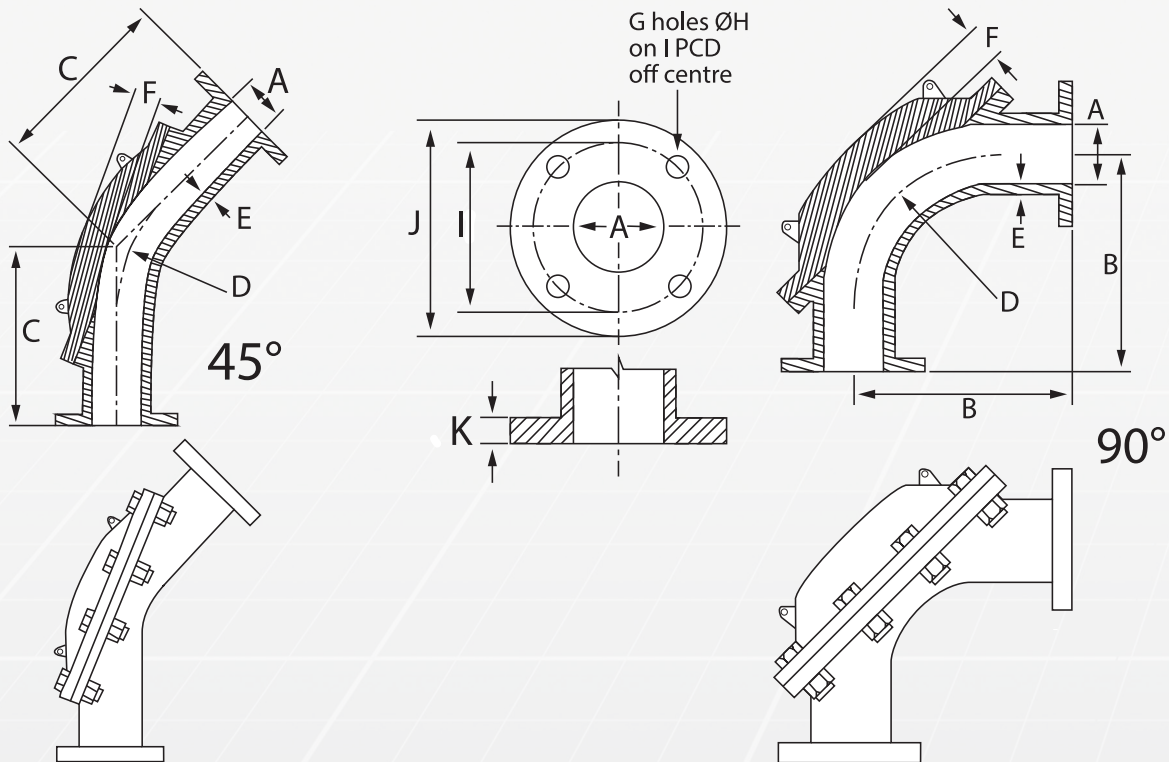
Mating flanges should always be offered up to the Ni-Hard units in a parallel and close fitting position. No undue strain should be imparted on the flanges by pulling up with bolts, as damage to the casting may result.

Due to the issues highlighted above, we recommend that the bends are installed against flat face flanges. If this is not possible, then appropriate spacers / gaskets should be used.

3 mm / 1/8" Full Face Rubber gaskets should be used between flanges (flat face).

Maximum torque for bolt tightening should be 67.8 Nm or 50 lb/ft.

## NI - HARD WEARBACK BENDS

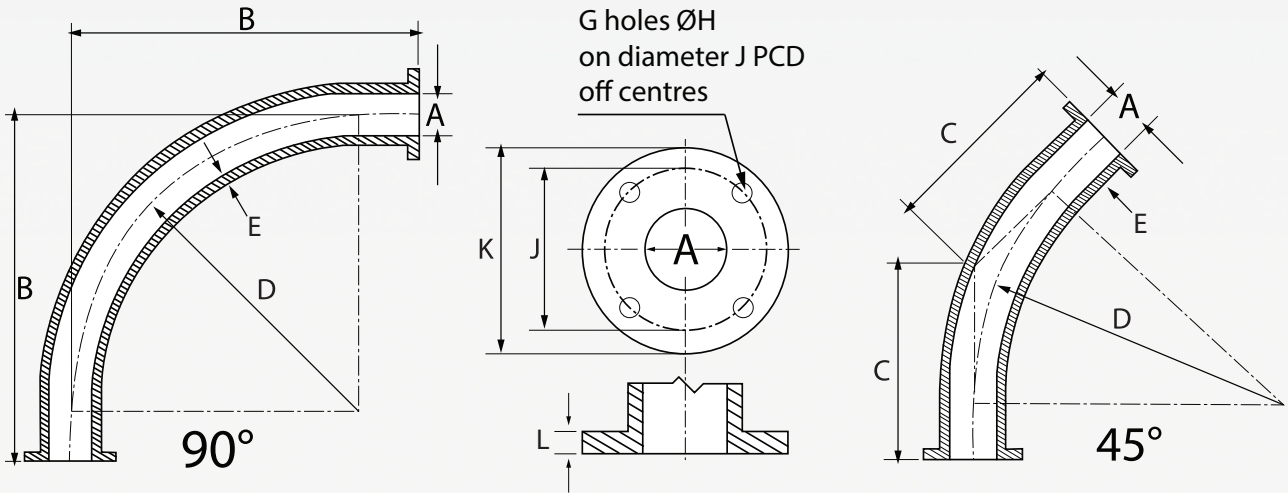


All measurements are in millimetres.

PIPE I.D.	90°	45°	RADIUS	WALL	WEARBACK	FLANGE DIMENSIONS (ASA 150)					WEIGHT (KG)
A	B	C	D	E	F	G	H	I	J	K	
50	203	203	127	13	40	4	19	121	152	22	24
76	320	279	250	16	51	4	19	152	191	20	50
102	311	318	210	16	32	8	19	191	229	20	63
125	350	287	250	18	51	8	22	216	260	25	80
150	300	432	300	18	51	8	22	241	285	22	110
200	508	559	406	19	102	8	22	299	343	29	245

Dimensions are approximate and subject to change without notice  
 Planning-in detail for general guidance only  
 (To cover safety aspects ask for our safety leaflets)  
 Drillings are Rotolok standards. Variations can be made.

**NI - HARD PLAIN BENDS**



All measurements are in millimetres.

PIPE I.D.	90°		45°		RADIUS	WALL	FLANGE DIMENSIONS (ASA 150)				WEIGHT (KG)	
	A	B	C	D			E	G	H	J	K	L
50	381	203	305	13	4	19	121	152	22	16	11	
75	533	254	457	16	4	19	152	191	20	39	26	
100	686	330	610	16	8	19	191	229	20	58	41	
125	838	381	792	18	8	22	216	260	25	99	54	
150	991	457	914	18	8	22	241	285	22	135	84	
200	1295	584	1219	19	8	22	299	343	29	234	138	
250	1600	711	1524	20	12	25	362	406	25	342	183	



Ni - Hard Pipe Bend Plain



Ni - Hard Pipe Bend WearBack

Dimensions are approximate and subject to change without notice  
 Planning-in detail for general guidance only  
 (To cover safety aspects ask for our safety leaflets)  
 Drillings are Rotolok standards. Variations can be made.



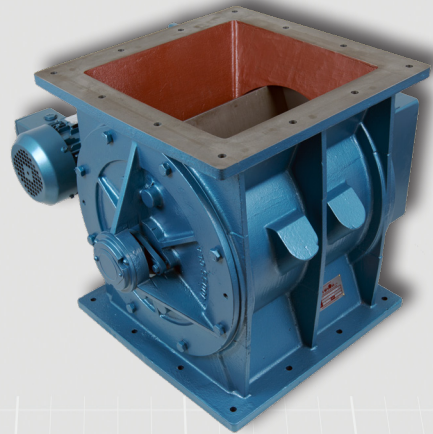
## OTHER ROTOLOK PRODUCTS

As well as the Ni-Hards, Rotolok manufacture and supply a range of other products in Cast Iron for use in conveying systems.

These include, but are not limited to: Blo-line pipe coupling; Slide Gates with Pneumatic, Motorised or Manual operation; Rotary Valve; Dust Collector Valve; Roundhead Valve; Blowing Seals and various Diverter Valves.

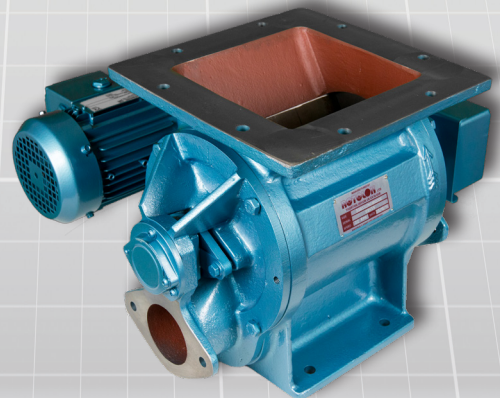
For more information, please visit our website or contact our sales team.

A Standard Rotary Valve that can be made to suit most applications with a variety of construction materials and rotors



A Cast Iron conveying diverter valve. Available with flanged or spigotted connections to fit existing conveying systems

A typical Blowing Seal with a square inlet used in pneumatic conveying systems.



A Standard Plug Diverter Valve. The valve has a rugged cast iron body and is suitable for abrasive or high pressure applications